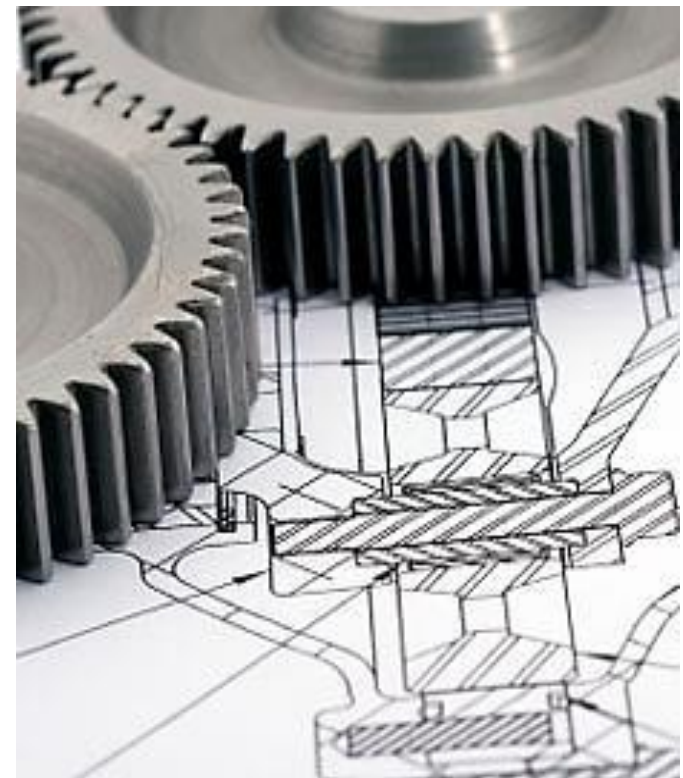


-Extras

The following are extras offered by Tovek Drive Systems, but are through a trusted 3rd party:

- Prototyping
 - ABS
 - SLS
 - SLA
- Tool Design
- Machining



Design
Rendering
Stress Analysis

PRODUCT DESIGN SOLUTIONS

There is a multitude of ways an idea can go from a sketch on a napkin to a product on the shelf. Tovek Drive Systems will help you create your new idea into a reality by using advanced software and high-tech rapid prototyping machines.

See below on how to visit our website for more information and how to contact us about your idea!

At Tovek Drive Systems we use up to five different Computer Aided Design (CAD) software's to make that hand sketch of yours into a real working model! We can use Autocad and Autocad Mechanical to create working shop drawings to be sent to the manufacturer.

Renderings in Showcase can be used for brochures, manuals, marketing ads, and even shop drawings that need high quality images and/or panoramic videos of your 3D model.

Inventor is the true force behind the 3D modeling. When using Inventor we can create complex assemblies and sub-assemblies that can be manipulated to work like the real thing! Stress Analysis and Interference Analysis help determine optimal performance for complex geometry.

- Accurate Parts
- Efficient Manufacturing
- Hastily and Seamless Communication



15501 18th St. N
Georgetown, MN, 56546
Office: (218) 287-2110
Cell: (701) 446-6151
www.tovekdrivesystems.yolasite.com

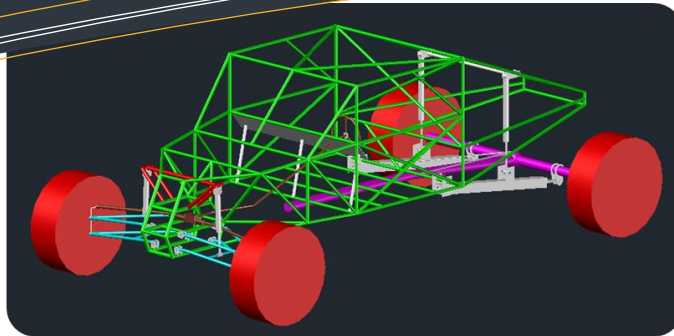


www.tovekdrivesystems.yolasite.com

Designing your Imagination to Change the World

DESIGN - RENDERING - STRESSANALYSIS

At Tovek Drive Systems, we bring your ideas to life.
Whether it is a go-kart, a PCB, or a plastic molded part.
We have what you need!



Exporting files that can work with
all other 3D software's

CAD SOFTWARE

- AUTOCAD
- AUTOCAD MECHANICAL
- AUTODESK INVENTOR
- AUTODESK SHOWCASE

-Design & Rendering

Designing of plastic, metal, tubed steel and sheet metal parts to be manufactured by a number of different processes.

High quality renderings of modeled parts and orbital views of a single product.

-Stress Analysis

Run plastic and metal parts through a stress analysis test to detect areas of stress and concern.

-Background

Jake Clark has over 7 years of Autocad experience with an AAS degree in Mechanical Drafting & Design. Programs range from: Autocad 2D, Autocad 3D, Autocad Mechanical, Inventor, Showcase, and other similar software's. He has worked with plastic, sheet metal, tubed steel, and steel materials in multiple applications.



CUSTOM SOLUTIONS

Can work with custom sketches that range from high quality artist drawings down to your handmade sketches on a napkin.



WEB SOLUTIONS

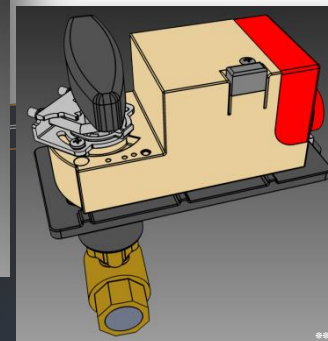
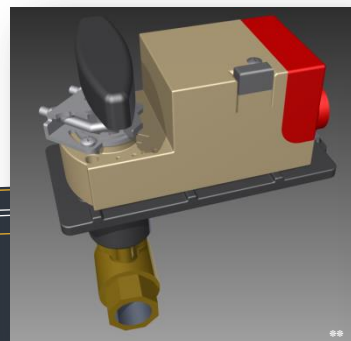
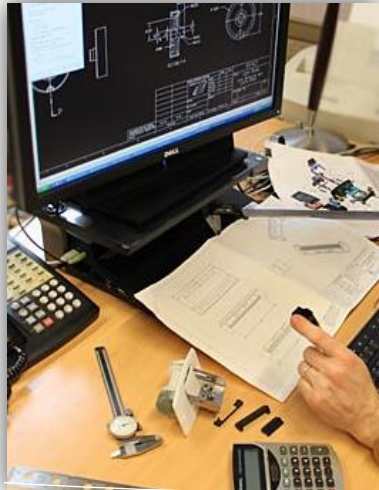
Interactive website which includes renderings of past projects for viewing.* You can also request a *.dwf file of sample part for interactive viewing on your personal computer!



BUSINESS COLLABORATION

Can export in the following CAD formats (inventor):

- .CATPart
- .igs; .ige; .iges
- .jt
- .x_b
- .x_t
- .g
- .neu
- .sat
- .stp; .ste; .step
- .stl
- .xgl
- .zgl



WE'VE WORKED WITH A DIVERSE CUSTOMER BASE.

With over 7 years of Computer Aided Design experience!

*Patents Pending **Photo Courtesy of Alderon Ind.